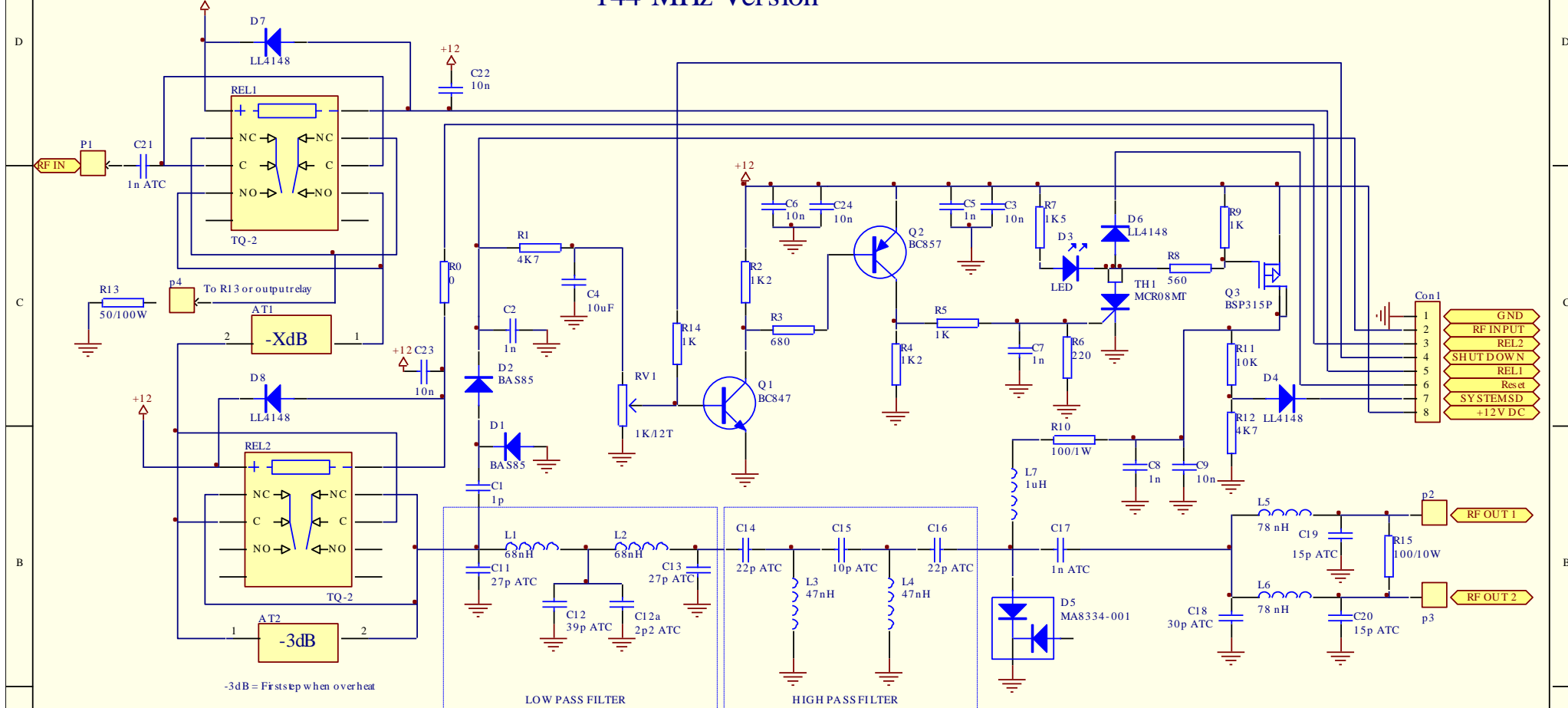


144 MHz Version



-3dB = First step when overheat

LOW PASS FILTER

HIGH PASS FILTER

Coil L1 to L6 = Coilcraft 1812SMS Series
 Coil L7 = Coilcraft 1812FS-102KLB
 ATC = ATC100A Series
 RV1 = 3269W-1-102LF, Fairchild 935-2953

Con1	Pin	Label
1	1	GND
2	2	RF INPUT
3	3	REL2
4	4	SHUT DOWN
5	5	REL1
6	6	Reset
7	7	SYSTEMSD
8	8	+12V DC

Title		
PA INPUT PROTECTION, DUAL OUTPUT		
Size	Number	Revision
A4	By OZZELA	1.e
Date:	9-Dec-2014	Sheet of 1 of 1
File:	D:\PCB\EEET-PA.ddb	Drawn By: OZZELA